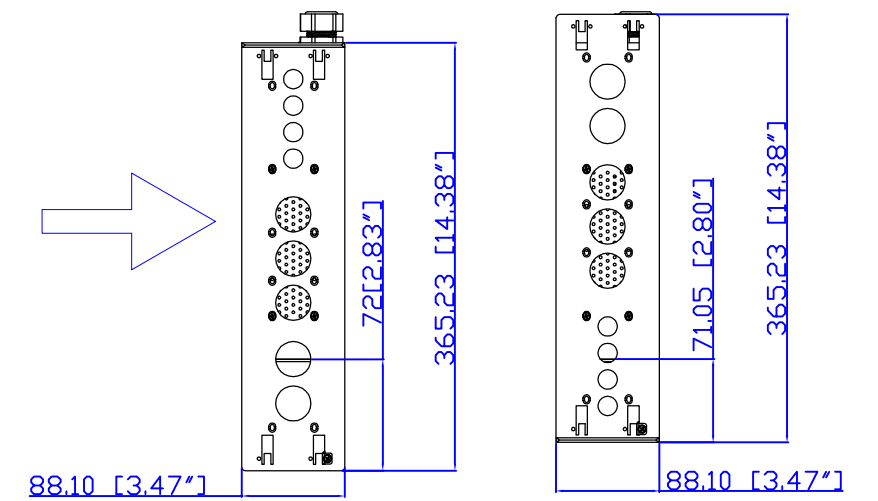
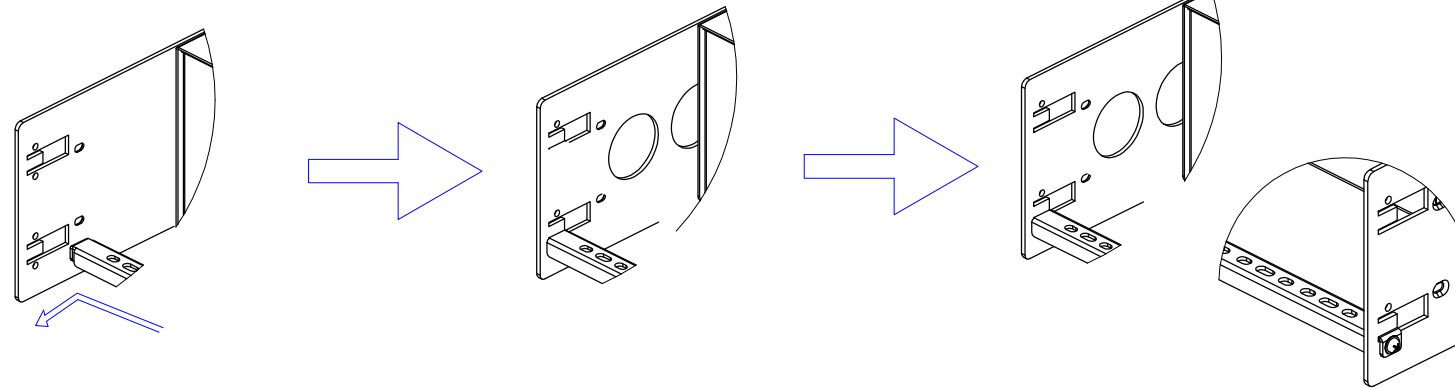


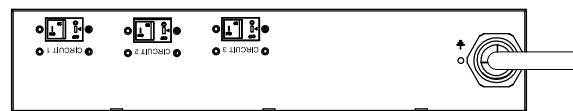
NEMA L21-30P

VIEW A

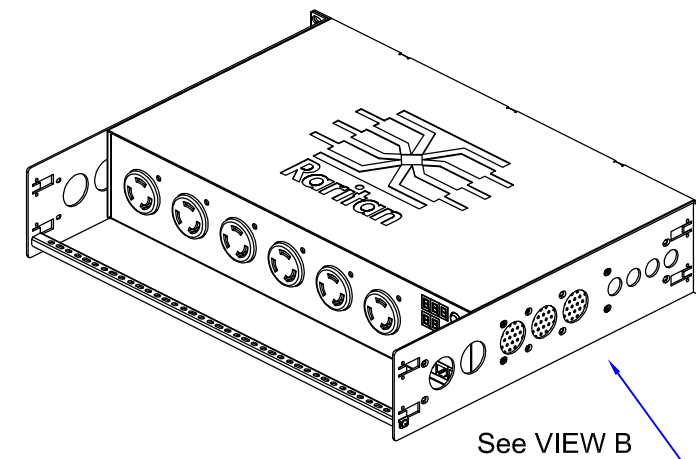
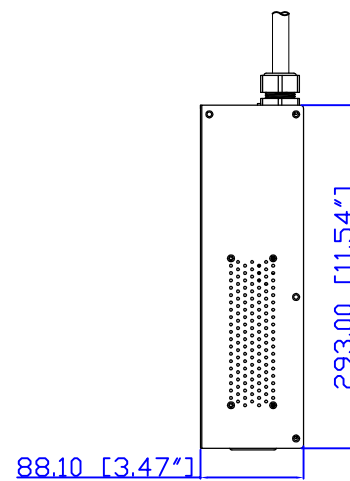
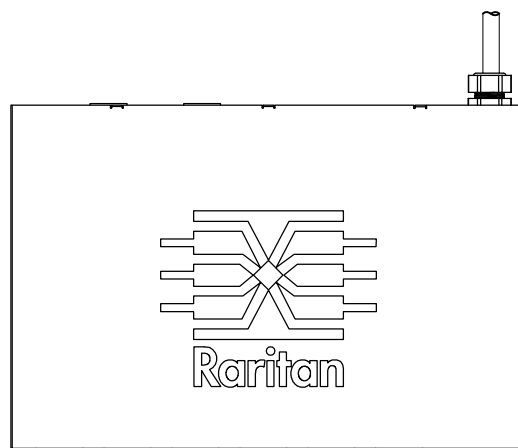
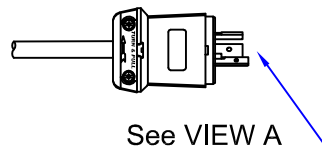


VIEW B

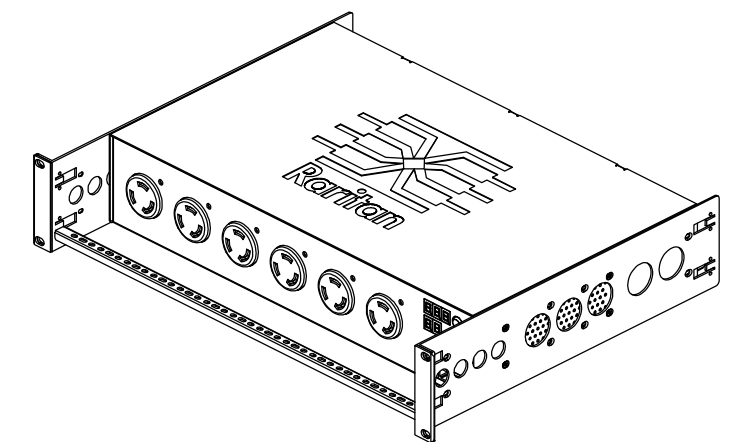
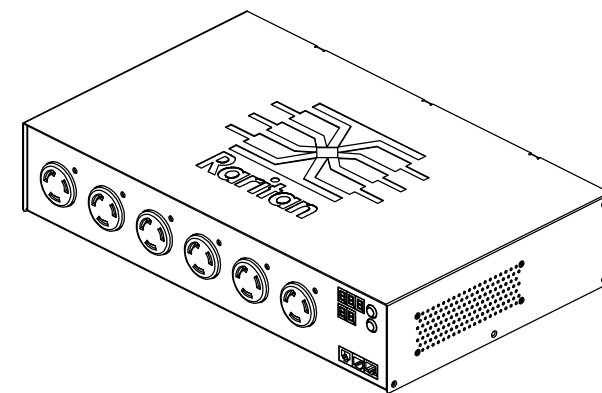
Rear



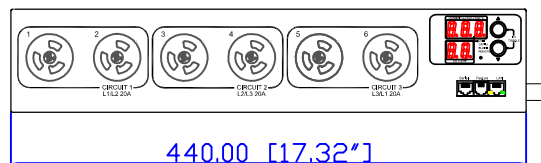
NEMA L21-30P



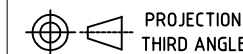
See VIEW B



Front



440.00 [17.32\"/>



PROJECTION
THIRD ANGLE

DO NOT SCALE DRAWING

SHEET 1 OF 1

THIS DRAWING AND SPECIFICATIONS HEREIN ARE THE PROPERTY OF AMERICAN POWER CONVERSION AND SHALL NOT BE COPIED, REPRODUCED OR USED IN WHOLE OR IN PART, AS THE BASIS FOR THE MANUFACTURE OR SALE OF ITEMS WITHOUT WRITTEN PERMISSION FROM APC. THIS DRAWING IS BASED UPON LATEST AVAILABLE INFORMATION AND IS SUBJECT TO CHANGE WITHOUT NOTICE.

TITLE: iPDU U, Metered & Switched,
Three phase, 24A/200V-240V
Input: NEMA L21-30P
Output:(6) NEMA L6-20R

DRAWN :	July 21,2009
ENGINEER: Sam	July 21,2009
APPROVED:	July 21,2009

DWG NO.	REV.
MPX-5119 & MPX-4119	A