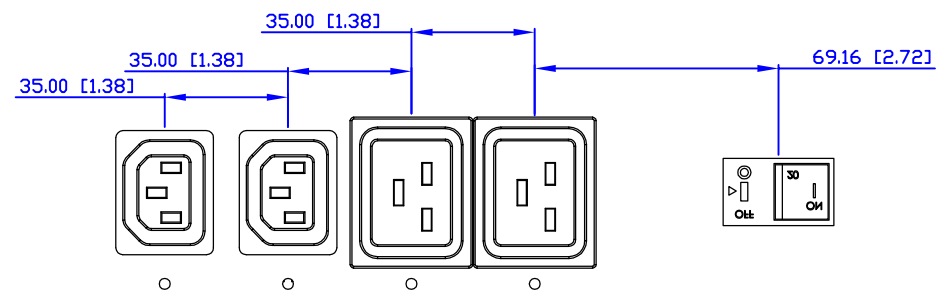
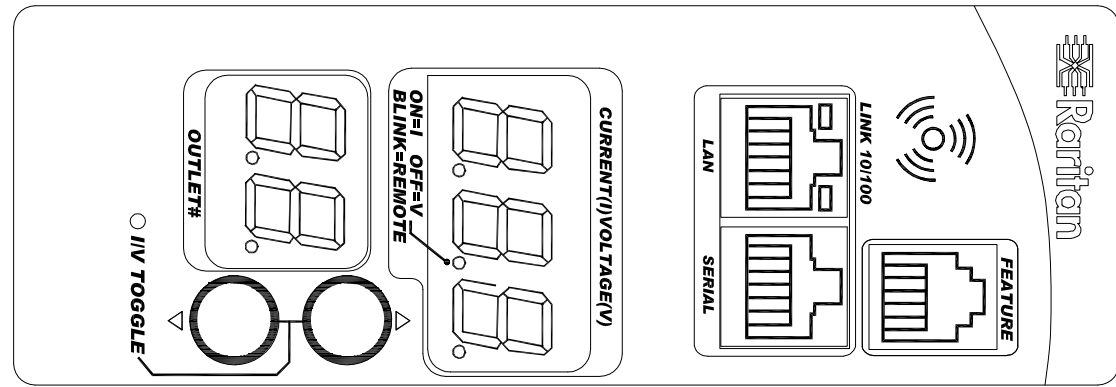


IEC 60309 60A 3P4W

VIEW A

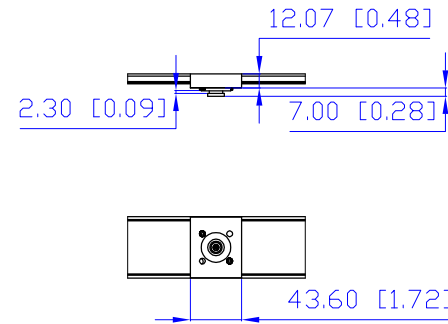


VIEW B

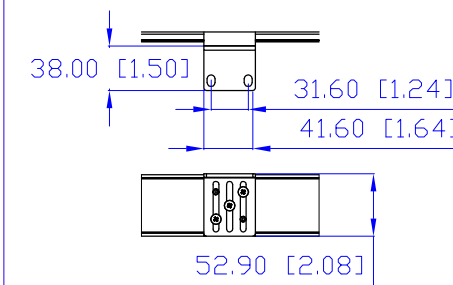


VIEW C

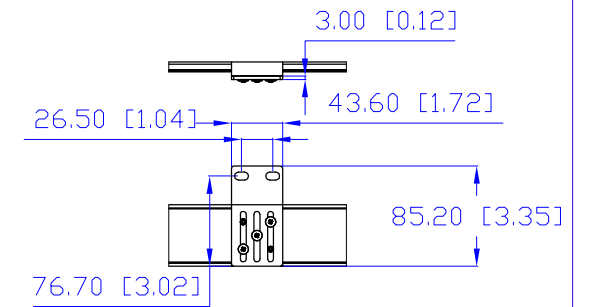
Option 1.



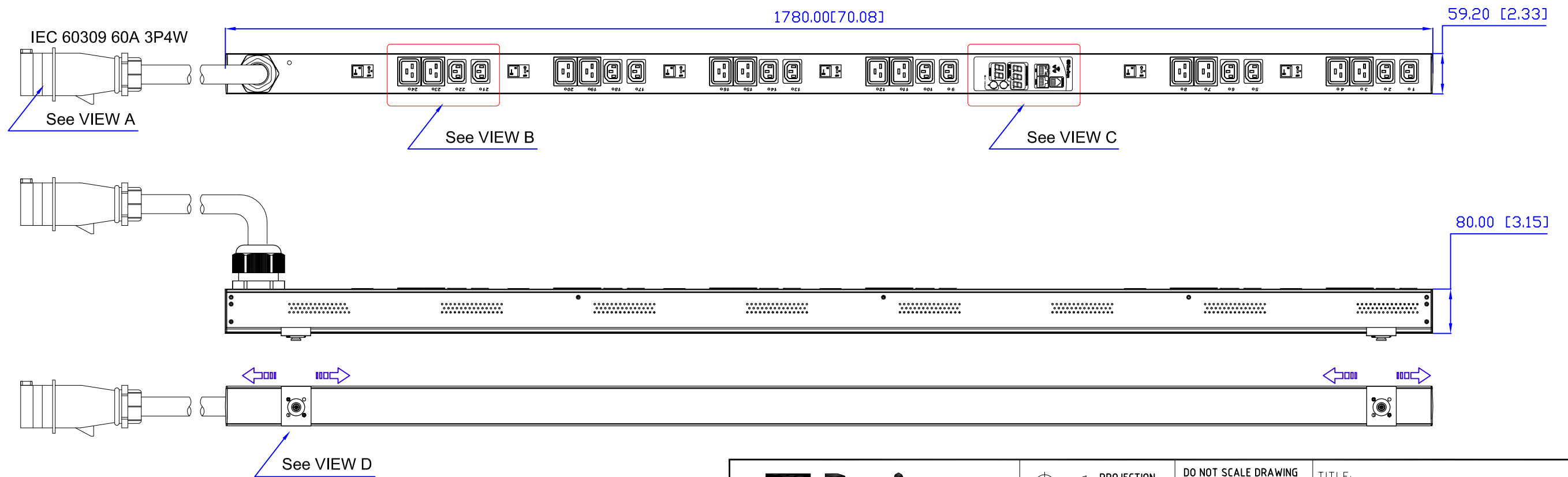
Option 2.



Option 3.



VIEW D



NOTES:
1. ALL DIMENSIONS ARE MILLIMETERS [INCHES].



DRAWN : EVA Apr. 28 2009
ENGINEER: Kevin_L Apr. 28 2009
APPROVED: Kevin_C Apr. 28 2009

PROJECTION THIRD ANGLE

DO NOT SCALE DRAWING
SHEET 1 OF 1

THIS DRAWING AND SPECIFICATIONS HEREIN ARE THE PROPERTY OF RARITAN, INC. AND SHALL NOT BE COPIED, REPRODUCED OR USED, IN WHOLE OR IN PART, AS THE BASIS FOR THE MANUFACTURE OR SALE OF ITEMS WITHOUT WRITTEN PERMISSION FROM RARITAN, INC. THIS DRAWING IS BASED UPON LATEST AVAILABLE INFORMATION AND IS SUBJECT TO CHANGE WITHOUT NOTICE..

TITLE: iPDU Zero U, Three Phase, 48A/208V, Input: IEC 309 60A /250V 3P+PE, Output (12)IEC320 C13+(12)IEC320 C19

DWG NO. **MPX-5551 & MPX-4551** REV. **A**