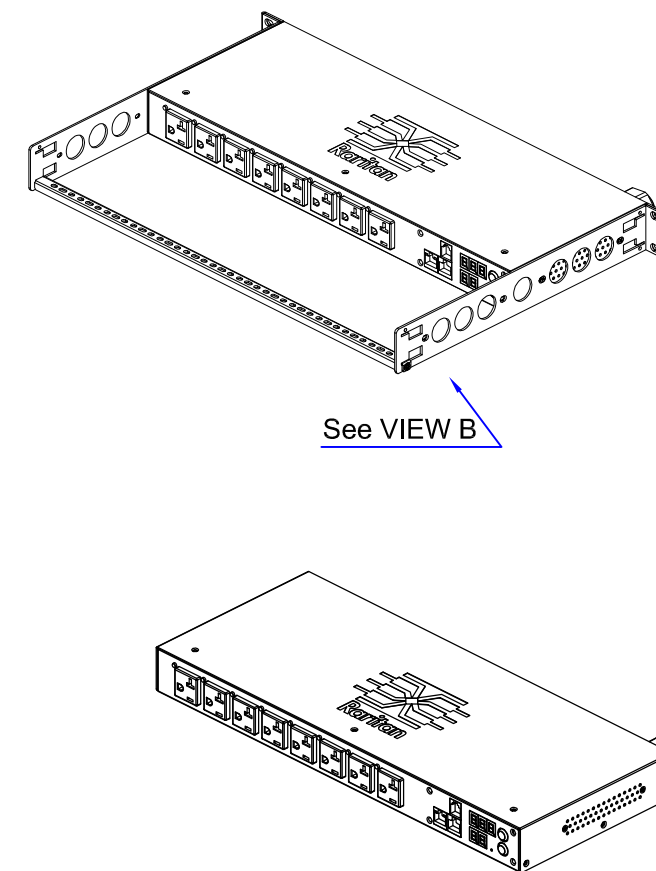
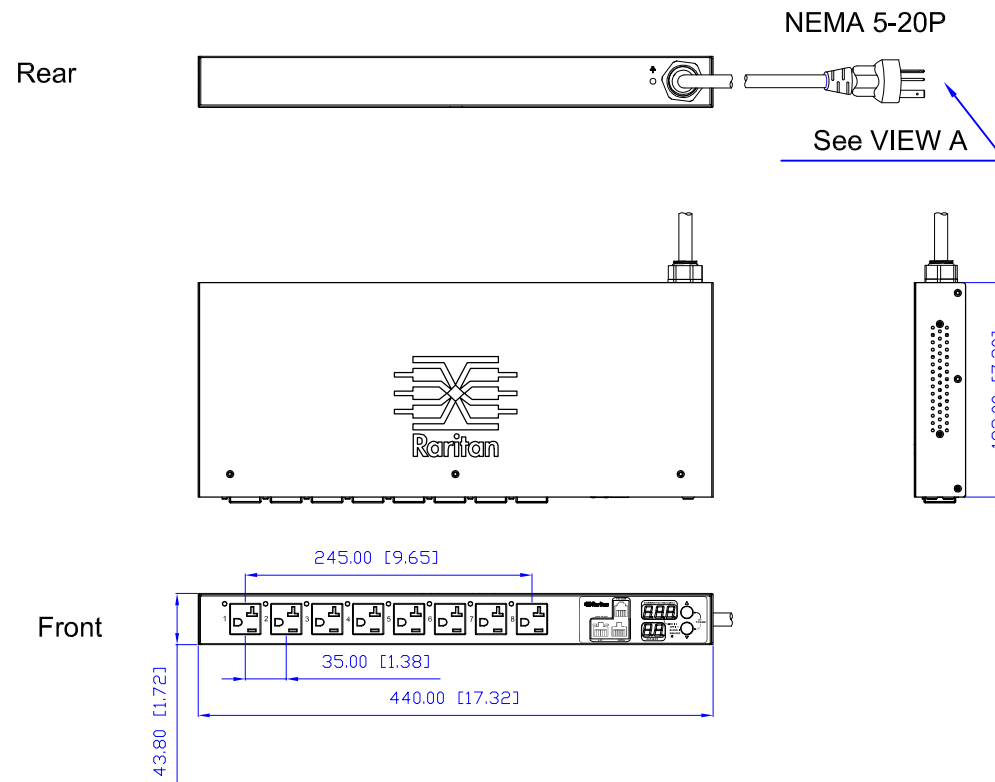
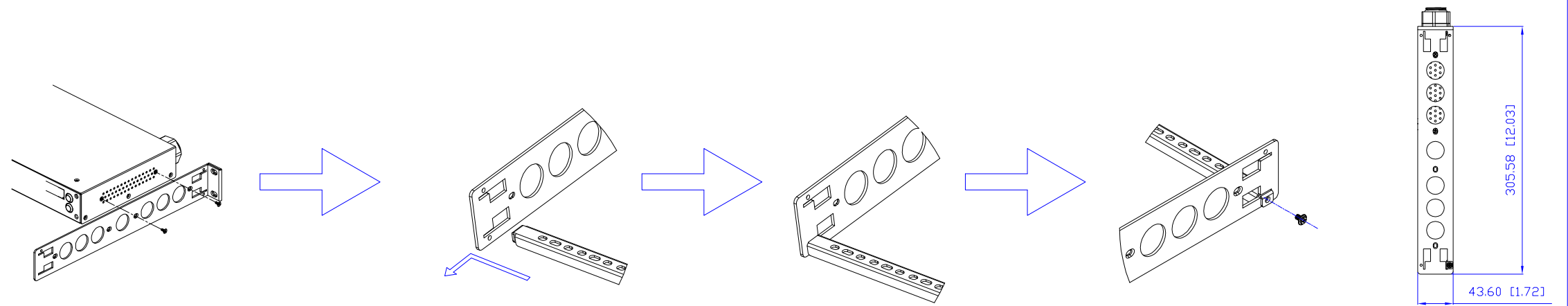


NEMA 5-20P



NOTES:

1.ALL DIMENSIONS ARE MILLMETERS[INCHES].

		PROJECTION THIRD ANGLE	DO NOT SCALE DRAWING	TITLE: iPDU Zero U, Single Phase, 20A/110V Input: NEMA 5-20P, Output (8) NEMA 5-20R
			SHEET 1 OF 1	
DRAWN : Eva Mar.04 2009	ENGINEER: Sam Mar.04 2009	THIS DRAWING AND SPECIFICATIONS HEREIN ARE THE PROPERTY OF Raritan, Inc. AND SHALL NOT BE COPIED, REPRODUCED OR USED, IN WHOLE OR IN PART, AS THE BASIS FOR THE MANUFACTURE OR SALE OF ITEMS WITHOUT WRITTEN PERMISSION FROM Raritan, Inc. THIS DRAWING IS BASED UPON LATEST AVAILABLE INFORMATION AND IS SUBJECT TO CHANGE WITHOUT NOTICE..		DWG NO. MPX-5812
APPROVED: Kevin_C Mar.04 2009				REV. B