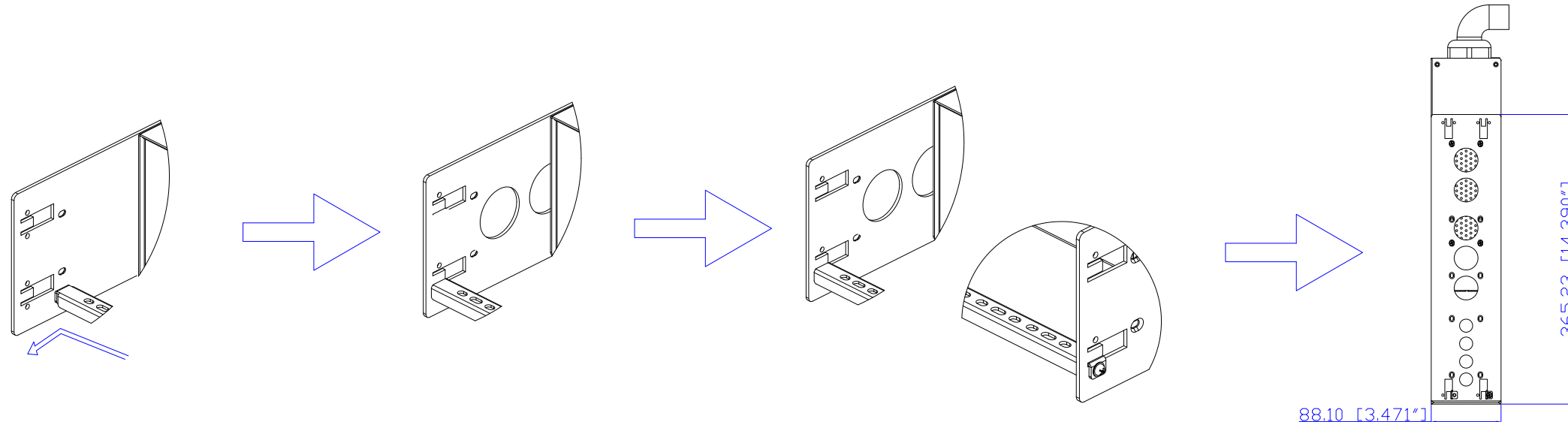


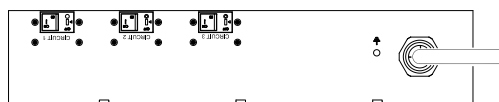
NEMA L21-30P

VIEW A

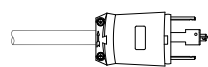


VIEW B

Rear

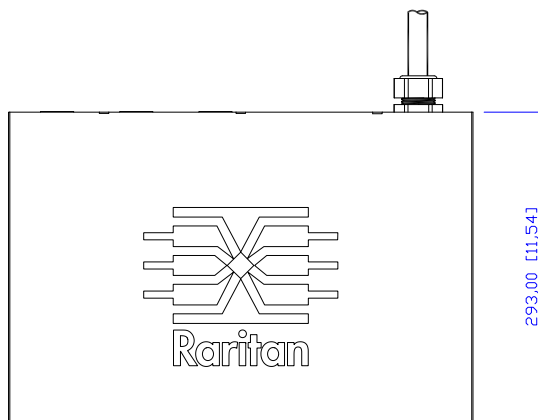


NEMA L21-30P

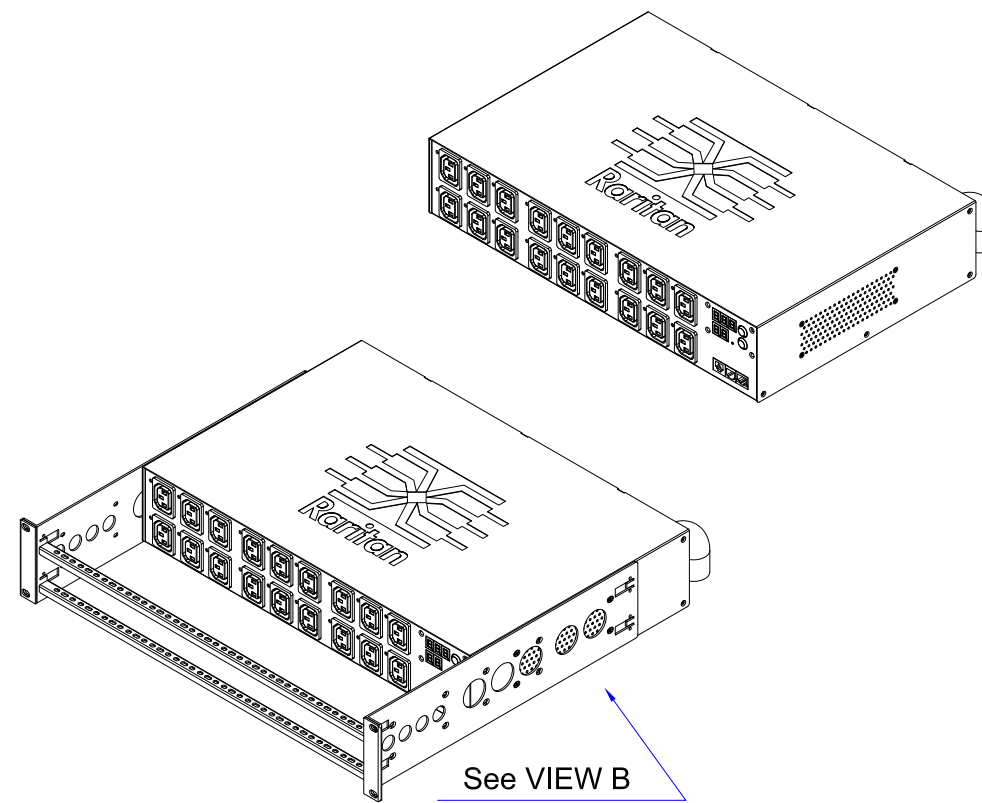
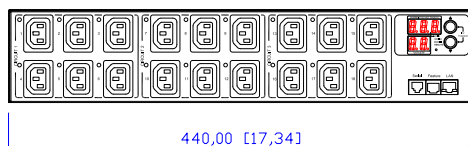


See VIEW A

TOP



Front



NOTES:

1.ALL DIMENSIONS ARE MILLMETERS[INCHES].



DO NOT SCALE DRAWING
SHEET 1 OF 1

THIS DRAWING AND SPECIFICATIONS HEREIN ARE THE PROPERTY OF RARITAN, INC. AND SHALL NOT BE COPIED, REPRODUCED OR USED, IN WHOLE OR IN PART, AS THE BASIS FOR THE MANUFACTURE OR SALE OF ITEMS WITHOUT WRITTEN PERMISSION FROM RARITAN, INC. THIS DRAWING IS BASED UPON LATEST AVAILABLE INFORMATION AND IS SUBJECT TO CHANGE WITHOUT NOTICE.

TITLE: iPDU Two U,
Three phase, 24A/190-208V
Input: NEMA L21-30P
Output: (18)IEC32 C13

DRAWN : Eva	Oct. 20, 2009
ENGINEER: Sam	Oct. 20, 2009
APPROVED: Kevin_C	Oct. 20, 2009

DWG NO. **MPX-5924 & MPX-4924** REV. **A**